

**Yuandong**

奉化市远东车辆部件有限公司

Fenghua Yuandong Auto Parts Limited Company

**Hawks**

奉化市哈克斯自动化设备有限公司

Fenghua Hawks Automatic Equipment Limited Company

# High Pressure Ball Valve

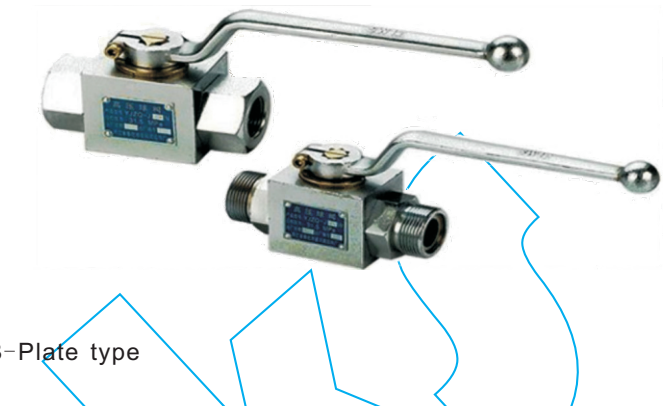
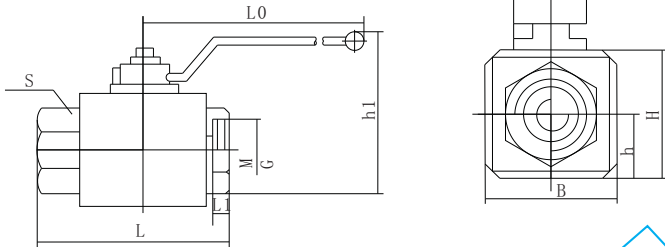
High pressure Ball valve is mainly used in the hydraulic pipeline control the oil flow and cut-off. The ball valve has a small flow resistance loss, reliable sealing performance, convenient operation, beautiful appearance and other characteristics. This type of high pressure ball valve adopts the steel forgings, chrome surface.

## Model description

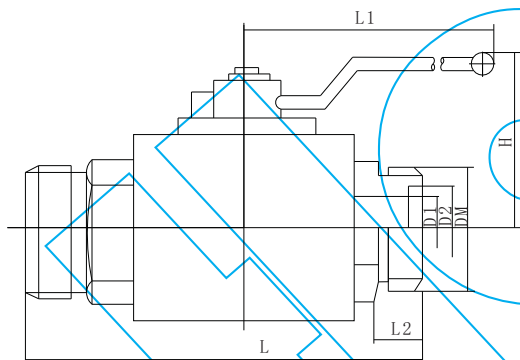
Y	JZQ-	□	□	□
(1)	(2)	(3)	(4)	(5)

- (1) Y-Hydraulic system
- (2) JZQ-Globe valve
- (3) J-31.5MPa H-21MPa
- (4) Nominal diameter: 10-50mm
- (5) Connection form: N-Internal thread W-External thread B-Plate type

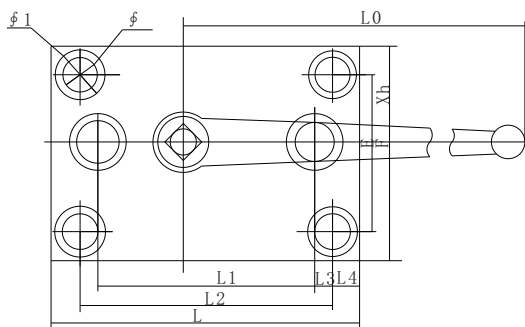
## Appearance size



Model	M	G	Size							
			B	H	h	h1	L	L1	S	L0
YJZQ-J10N	M18×1.5	3/8"	34	37	17	72	78	14	30	127
YJZQ-J15N	M22×1.5	1/2"	35	40	17.5	74	86	16	30	127
YJZQ-J20N	M27×2	3/4"	48	55	24	96	108	18	42	184
YJZQ-J25N	M33×2	1"	58	61	30.5	116	116	20	48	184
YJZQ-J32N	M42×2	1 1/4"	68	72	34	141	136	22	60	215
YJZQ-J40N	M48×2	1 1/2"	80	90	42	165	148	24	70	215
YJZQ-J50N	M64×2	2"	98	110	50	180	180	26	80	229



Model	DM	Size					
		D1	D2	L	L1	L2	H
YJZQ-J10W	M27X1.5	10	20	90	127	16	58
YJZQ-J15W	M30X1.5	15	22	95	127	18	68
YJZQ-J20W	M36X2	20	30	112	184	18	72
YJZQ-J25W	M42X2	24	35	122	184	20	86
YJZQ-J32W	M52X2	30	40	145	215	22	103
YJZQ-J40W	M64X2	38	50	156	215	24	120
YJZQ-J50W	M72X2	48	60	189	229	26	128



Model	h	L0	E	F	L	L1	L2	L3	L4	φ	φ1
YJZQ-J10B	40	127	38	54	80	45	56	11	12	φ7	10
YJZQ-J15B	46	127	42	60	91	52	60	6	19	φ9	15
YJZQ-J20B	50	184	50	70	108	60	70	7.5	21.5	φ11	20
YJZQ-J25B	60	184	55	77	114	65	80	11	17.5	φ11	25
YJZQ-J32B	76	215	75	100	154	90	120	19	18	φ13	32
YHZQ-J40B	95	215	90	122	185	110	150	23	20	φ17	40

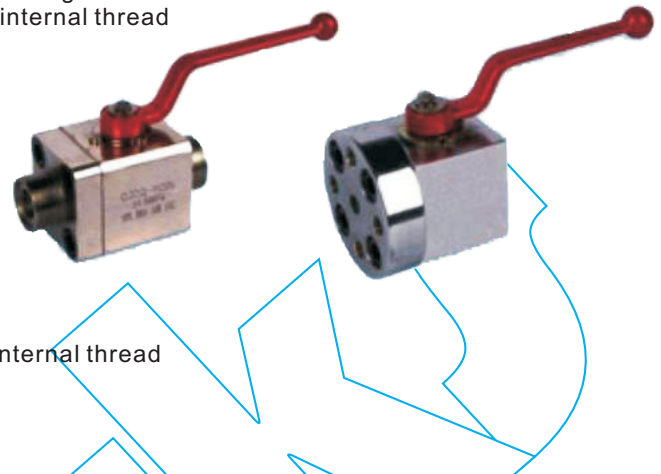
# Ball check valve

High pressure ball valve is mainly used in the hydraulic pipeline control the oil flow and cut-off. The ball valve has a small flow resistance loss, reliable sealing performance, convenient operation, beautiful appearance and other characteristics. This type of high pressure ball valve adopts the steel forgings, chrome surface. The high pressure ball valve is mainly composed of a valve body, valve rod, ball, handle and a sealing device. There are three main types of connections: external thread, internal thread type and flange.

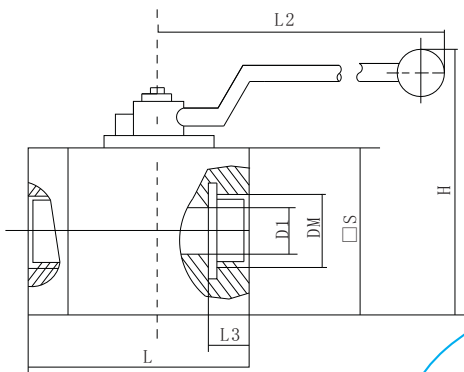
## Model description

C	JZQ-	□	□	H
(1)	(2)	(3)	(4)	(5)

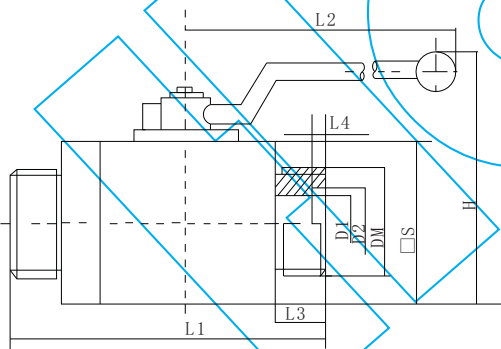
- (1) C-Marine
- (2) JZQ-Globe valve
- (3) H-31.5MPa F-21MPa
- (4) Nominal diameter
- (5) Connection form: F-Flange type L-External thread G-Internal thread



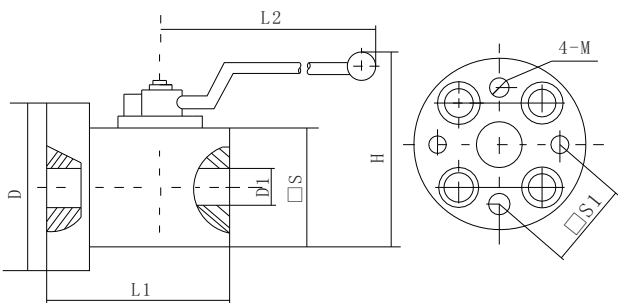
## Appearance size



Model	D1/DN(mm)	Size						
		L1	L2	L3	H	D1	□S	DM
CJZQ-G6H	6	68	100	12	80	6	44	M14X1.5
CJZQ-G8H	8	70	100	14	80	8	44	M16X1.5
CJZQ-G10H	10	88	127	14	85	10	52	M18X1.5
CJZQ-G15H	15	91	127	16	89	15	56	M27X2
CJZQ-G20H	20	100	184	18	109	20	65	M33X2
CJZQ-G25H	25	111	184	20	114	24	70	M42X2
CJZQ-G32H	32	131	215	22	129	30	81	M48X2



Model	D1/DN(mm)	Size							
		L1	L2	L3	L4	H	D2	□S	DM
CJZQ-L6H	6	72	100	12	1.5	80	11	34	M16X1.5
CJZQ-L8H	8	86	100	14	1.5	80	16	44	M22X1.5
CJZQ-L10H	10	100	127	15	1.8	90	20	52	M27X1.5
CJZQ-L15H	15	105	127	16	1.8	94	24	56	M30X1.5
CJZQ-L20H	20	121	184	18	2.4	115	30	65	M36X2
CJZQ-L25H	25	135	184	20	2.4	122	35	68	M42X2
CJZQ-L32H	32	160	215	22	2.4	145	40	85	M52X2
CJZQ-L40H	40	180	215	30	2.4	150	45	90	M60X2
CJZQ-L50H	50	205	229	35	2.4	190	55	120	M70X2



Model	D1/DN(mm)	Size							
		L1	L2	H	D2	□S	□S1	14-M	D
CJZQ-F10H	10	88	127	90	10	52	28.3	M8	73
CJZQ-F15H	15	91	127	94	15	56	35.4	M8	78
CJZQ-F20H	20	97	184	115	20	65	43.8	M10	88
CJZQ-F25H	25	111	184	122	24	70	51.6	M12	98
CJZQ-F32H	32	131	215	145	30	84	60.1	M14	128
CJZQ-F40H	40	141	215	150	38	96	69.3	M16	130
CJZQ-F50H	50	170	229	190	48	120	83.4	M20	156
CJZQ-F65F	65	185	290	190	60	135	102.5	M22	178
CJZQ-F80F	80	225	290	220	70	160	113.1	M24	218

## High pressure Ball check valve core

High pressure ball valve core has the advantages of compact structure, reliable performance, the appearance of fine. The forged steel valve body, sealing ring for self lubrication engineering plastic, high pressure resistance, good sealing performance, flexible and comfortable handle move. Ball valve core and the valve body inner and outer surfaces are anti-corrosion treatment, is suitable for various oil and water-based emulsion medium of hydraulic system. With an external thread, internal thread, flange type and plate type connection.

### Model description

QJ	H	-	※	※
(1)	(2)	(3)	(4)	

- (1) Ball valve core
- (2) H-31.5MPa
- (3) Nominal diameter
- (4) Connection form: B-Plate type NL-Internal thread  
WL-External thread F-Round flange type F1-Welding flange type



### Appearance size

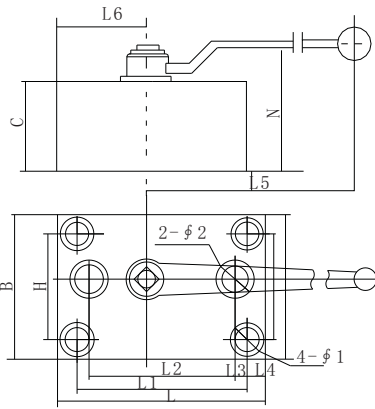


Plate type high pressure ball valve connecting dimensions

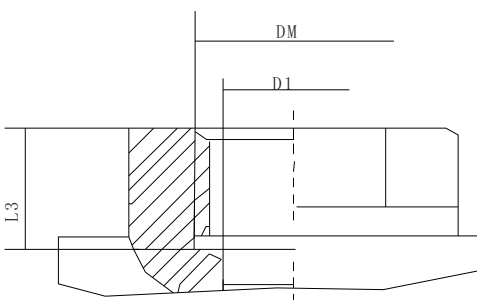
Model	L	B	C	L1	L2	L3	L4	L5	L6	H	N	φ1	φ2
QJH-10B	80	54	40	60	45	11	12	127	33	38	62	φ7	φ10
QJH-15B	91	60	46	60	52	6	19	127	39	42	66	φ9	φ15
QJH-20B	108	70	54	70	60	8.5	21.5	184	46.7	50	70	φ11	φ20
QJH-25B	125	77	60	80	72	3	30	184	54.7	55	73	φ11	φ25
QJH-32B	161	100	72	120	99	14	23	215	74.3	75	104	φ13	φ32
QJH-40B	187	122	90	150	112	23	20	215	86.8	90	129	φ17	φ40

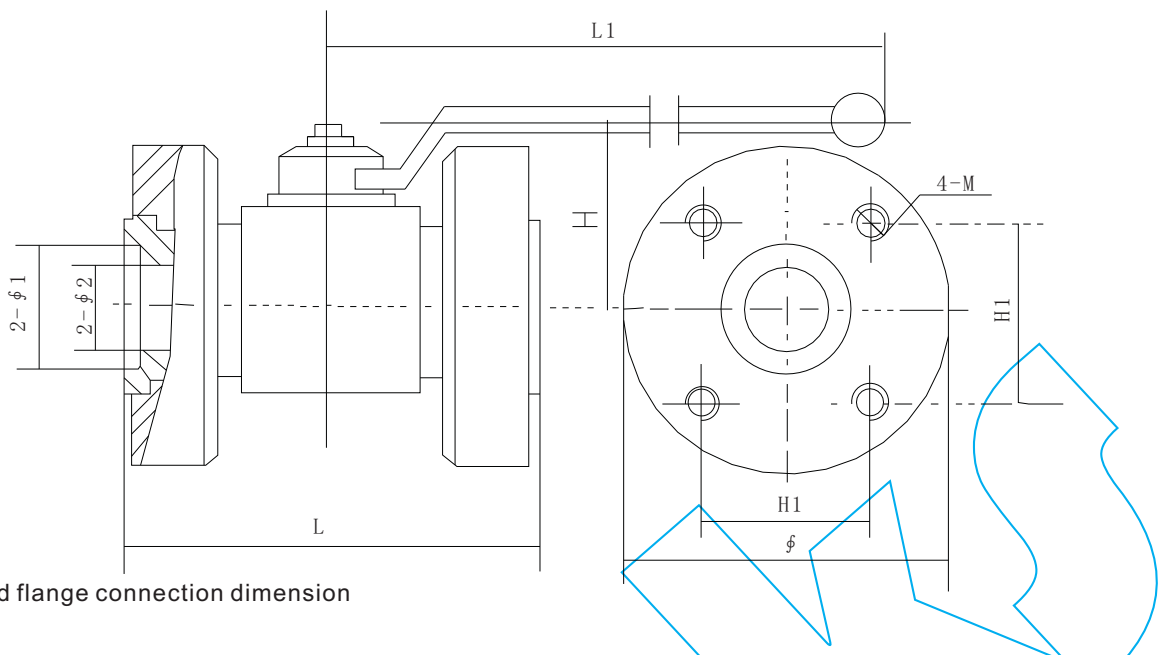
External thread connecting dimensions

Model	DM	L	D1	D2	L3	L4	H	B
QJH-6WL	M16X1.5	70	6	11	12	1.28	27	24
QJH-10WL	M22X1.5	86	10	16	14	1.97	37	34
QJH-15WL	M30X1.5	96	15	25	16	1.97	40	35
QJH-20WL	M36X2	114	18	30	18	1.97	55	48
QJH-25WL	M42X2	122	22	35	20	1.97	61	58
QJH-32WL	M52X2	145	30	40	22	1.97	72	68
QJH-40WL	M60X2	162	36	50	24	1.97	90	80

Internal thread connecting dimensions

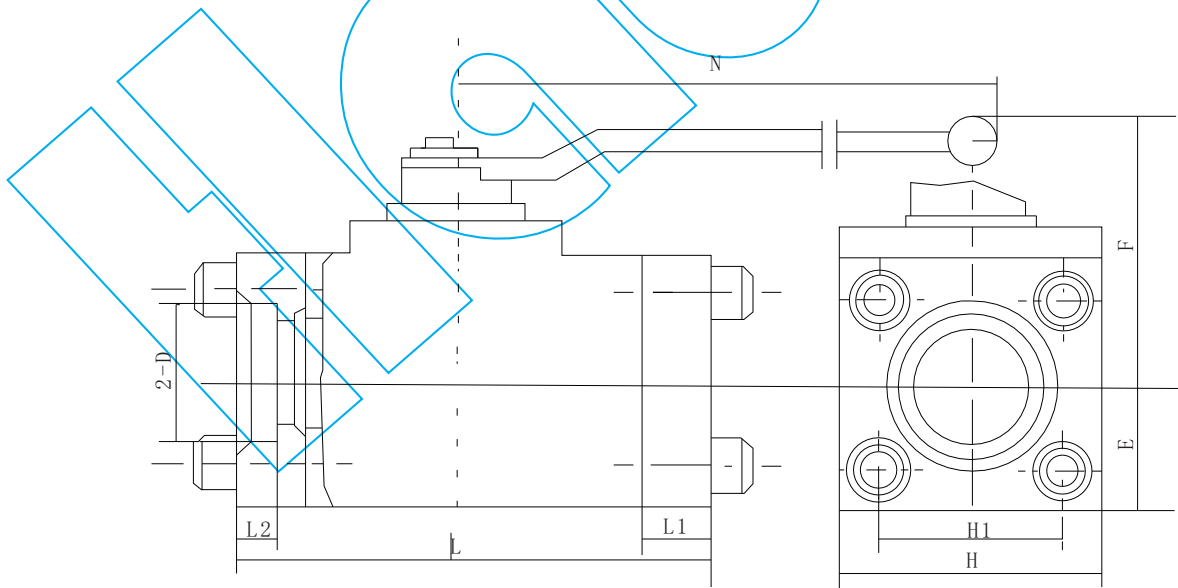
Model	DM	L	D1	L3	H	B
QJH-6NL	M16X1.5	68	6	10	27	24
QJH-10NL	M18X1.5	76	10	14	37	34
QJH-15NL	M27X2	88	15	161	46	44
QJH-20NL	M33X2	102	18	16	55	48
QJH-25NL	M42X2	116	22	20	61	58
QJH-32NL	M48X2	129	30	20	72	68
QJH-40NL	M60X2	147	36	24	90	80





Round flange connection dimension

Model	L	L1	H	H1	φ	2-φ1	2-φ2	4-M
QJH-10F	103	127	58	36	φ 68	φ 22	φ 10	M10
QJH-15F	113.5	127	68	40	φ 75	φ 15	φ 10	M10
QJH-20F	117.4	184	72	42	φ 78	φ 30	φ 20	M10
QJH-25F	133.5	184	86	56	φ 100	φ 38	φ 25	M12
QJH-32F	145.4	215	103	62	φ 110	φ 45	φ 32	M12
QJH-40F	175	215	120	73	φ 130	φ 55	φ 40	M16
QJH-50F	190	229	128	86	φ 150	φ 60	φ 48	M18
QJH-65F	240	229	160	98	φ 175	φ 70	φ 60	M22



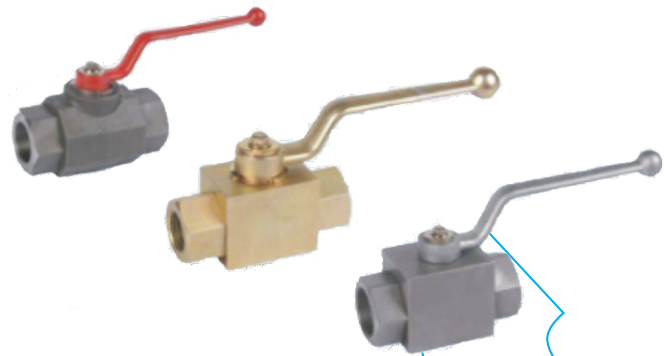
Weld flange connection dimension

Model	2-D	L2	L	L1	H	H1	F	E	N
QJH-50F1	φ 62	17	200	30	110	74	118	55	250
QJH-65F1	φ 77	22	250	45	140	101.2	132	70	250
QJH-80F1	φ 91	25	265	45	150	113.1	142	75	315

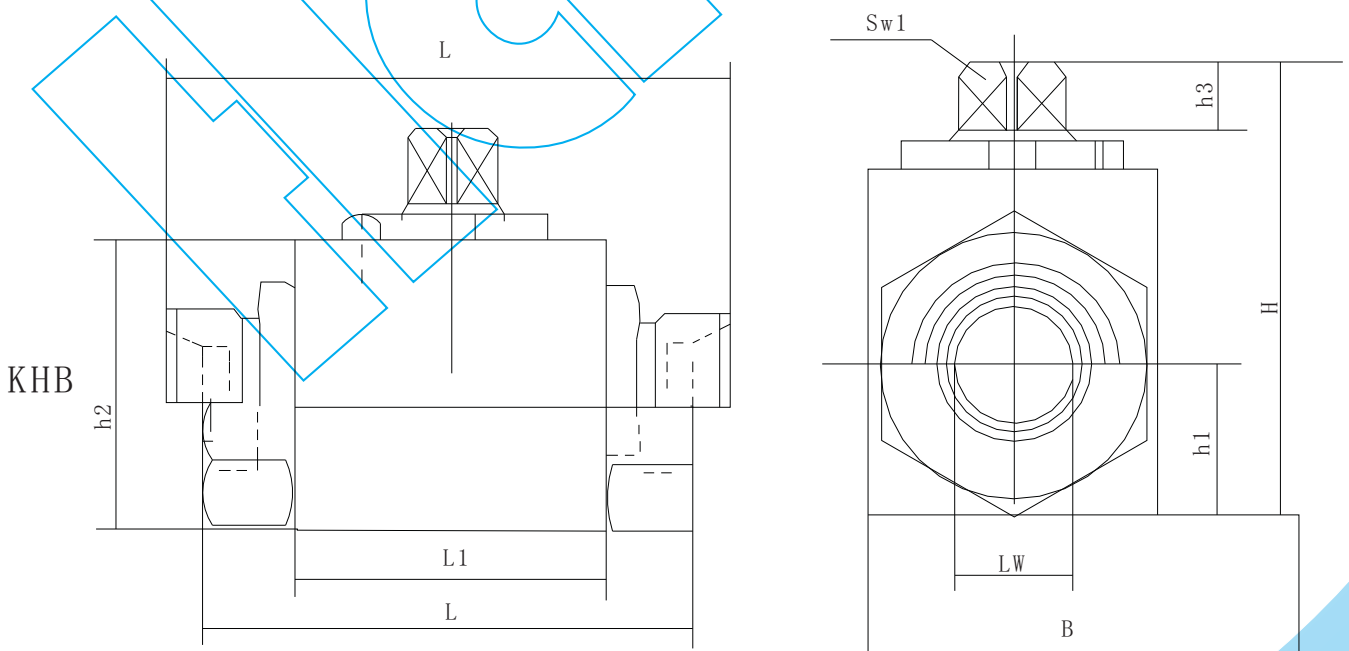
# KHB KHM series screw type hydraulic valve ( International Standard )

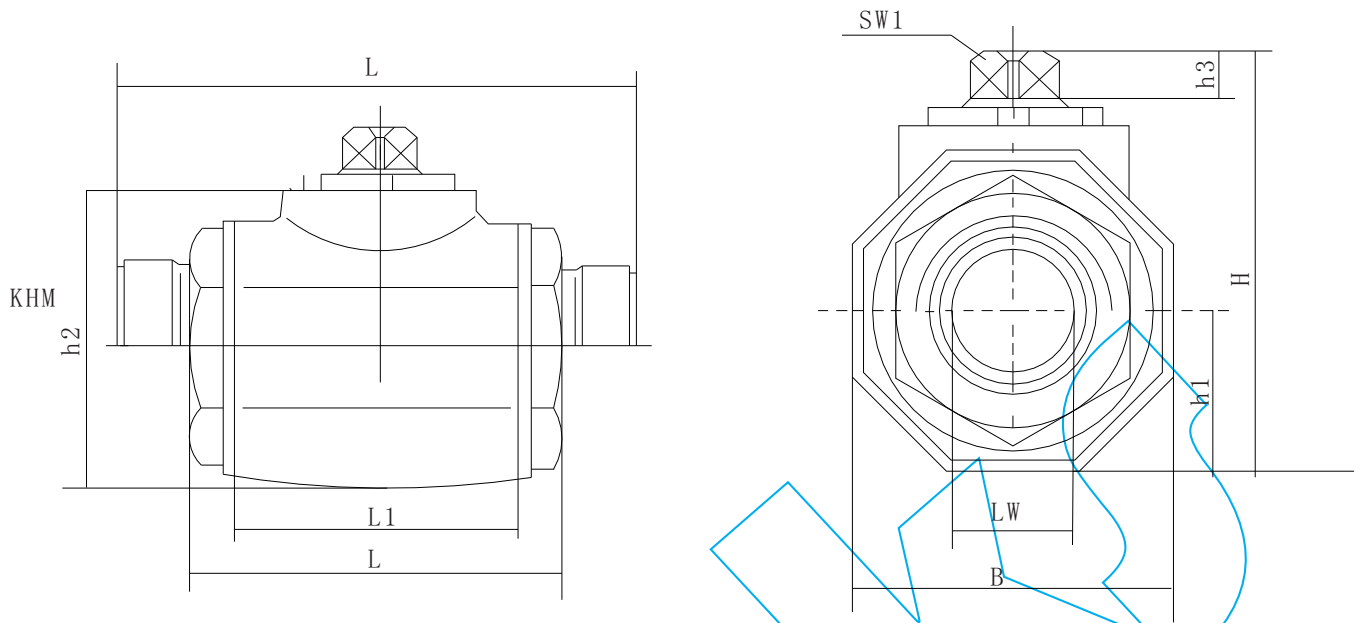
## Model description

KHB - G1/2	1	1	1	2 - 01 - *			
(1)	(2)	(3)	(4)	(5)	(6)	(7)	(8)



- (1) Product code: KHB valve box type ball valve. DN04-25  
KHM valve sleeve type ball valve. DN32-50
- (2) Thread specification or outside diameter of pipe
  - a. G1/2 internal thread, a thread sealing pipe thread ISO228
  - b. M30x1.5 external thread pipe joint, accord with JB984-77 standard
  - c. 18LR pipe diameter 18, external threads, in line with the DIN2353 standard light series
  - d. 20SR pipe diameter 20, external threads, in line with the DIN2353 standard heavy series
  - e. 20MZ pipe diameter 20, external thread, according to the JB / T6381 cone seal welded pipe joint
- (3) The valve body, the joint body material: 1 - carbon steel; 4 stainless steel
- (4) The sphere and control core materials: 1 - 2 - brass alloy steel; 4 stainless steel;
- (5) Ball sealing bowl material: 1-POM
- (6) A joint body and a control core shaft seal ring materials: 2 - nitrile rubber; 4 - Fluoro Rubber;
- (7) Handle form :
  - 01 cast zinc belt mounting bolt handle, a crank
  - 02 steel belt mounting bolt handle, a crank
- (8) Surface protection  
G - galvanized



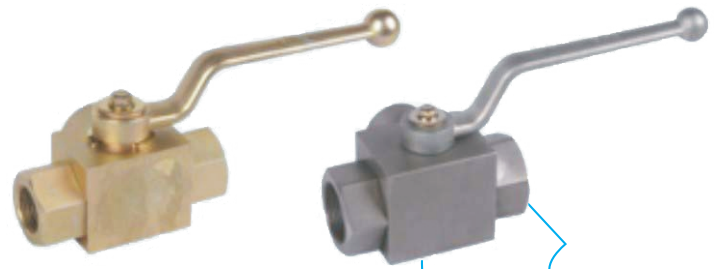


Connect Type	Model	DN	LW	RA	d1	i	L	L1	B	H	h1	h2	h3	SW1	SW2
	KHB-M12x1.25	04	04	8	M12x1.25	10	61	35	30	48	13	30	8	09	19
	KHB-M16x1.5	06	06	11	M16x1.5	11	69	35	30	48	13	30	8	09	19
	KHB-M22x1.5	08	08	16	M22x1.5	12	76	42	35	53	17	40	8	09	27
	KHB-M27x1.5	10	10	20	M27x1.5	12	76	42	35	53	17	40	8	09	27
	KHB-M30x1.5	16	15	24	M30x1.5	13	84	47	38	62	19	45	11	12	32
	KHB-M36x2	20	19	30	M36x2	15	103	60	48	75	24.5	55	11	12	41
	KHB-M42x2	25	24	35	M42x2	18	116	65	57	82	28.5	64	11	12	50
	KHB-M52x2	32	30	40	M52x2	20	149	84	75	102.7	37.5	84.2	12	17	60
	KHB-M60x2	40	36	50	M60x2	22	174	91	85	113.7	42.5	95.2	12	17	70
	KHB-G1/8	04	06	-	G1/8	10	69	35	30	48	13	30	8	09	19
	KHB-G1/4	06	06	-	G1/4	14	69	35	30	48	13	30	8	09	22
	KHB-G3/8	10	10	-	G3/8	14	72	42	35	53	17	40	8	09	27
	KHB-G1/2	16	15	-	G1/2	16	83	47	38	62	19	45	11	12	32
	KHB-G3/4	20	20	-	G3/4	18	95	60	48	75	24.5	55	11	12	41
	KHB-G1	25	25	-	G1	20.5	113	65	57	82	28.5	64	11	12	50
	KHM-G1 1/4	32	30	-	G1 1/4	22	110	84	75	102.7	37.5	84.2	12	17	60
	KHM-G1 1/2	40	38	-	G1 1/2	24	130	91	85	113.7	42.5	95.2	12	17	70
	KHM-G2	50	48	-	G2	26	140	100	105	131.2	52.5	112.7	12	17	80
	KHB-06LR	04	04	06	M12x1.5	10	67	35	30	48	13	30	8	09	19
	KHB-08LR	06	06	08	M14x1.5	10	67	35	30	48	13	30	8	09	19
	KHB-10LR	08	08	10	M16x1.5	11	74	42	35	53	17	40	8	09	27
	KHB-12LR	10	10	12	M18x1.5	11	74	42	35	53	17	40	8	09	27
	KHB-15LR	12	12	15	M22x1.5	12	82	47	38	62	19	45	11	12	32
	KHB-18LR	16	15	18	M26x1.5	12	82	47	38	62	19	45	11	12	32
	KHB-22LR	20	19	22	M30x2	14	101	60	48	75	24.5	55	11	12	41
	KHB-28LR	25	24	28	M36x2	14	108	65	57	82	28.5	64	11	12	50
	KHB-35LR	32	30	35	M45x2	16	141	84	75	102.7	37.5	84.2	12	17	60
	KHM-42LR	40	36	42	M52x2	16	162	91	85	113.7	42.5	95.2	12	17	70
	KHB-08SR	04	05	08	M16x1.5	12	73	35	30	48	13	30	8	09	19
	KHB-10SR	06	06	10	M18x1.5	12	73	35	30	48	13	30	8	09	19
	KHB-12SR	08	08	12	M20x1.5	12	76	42	35	53	17	40	8	09	27
	KHB-14SR	10	10	14	M22x1.5	14	80	42	35	53	17	40	8	09	27
	KHB-16SR	12	12	16	M24x1.5	14	86	47	38	62	19	45	11	12	32
	KHB-20SR	16	15	20	M30x2	16	90	47	38	62	19	45	11	12	32
	KHB-25SR	20	20	25	M36x2	18	109	60	48	75	24.5	55	11	12	41
	KHB-30SR	25	25	30	M45x2	20	120	65	57	82	28.5	64	11	12	50
	KHB-38SR	32	30	38	M52x2	22	153	84	75	102.7	37.5	84.2	12	17	60

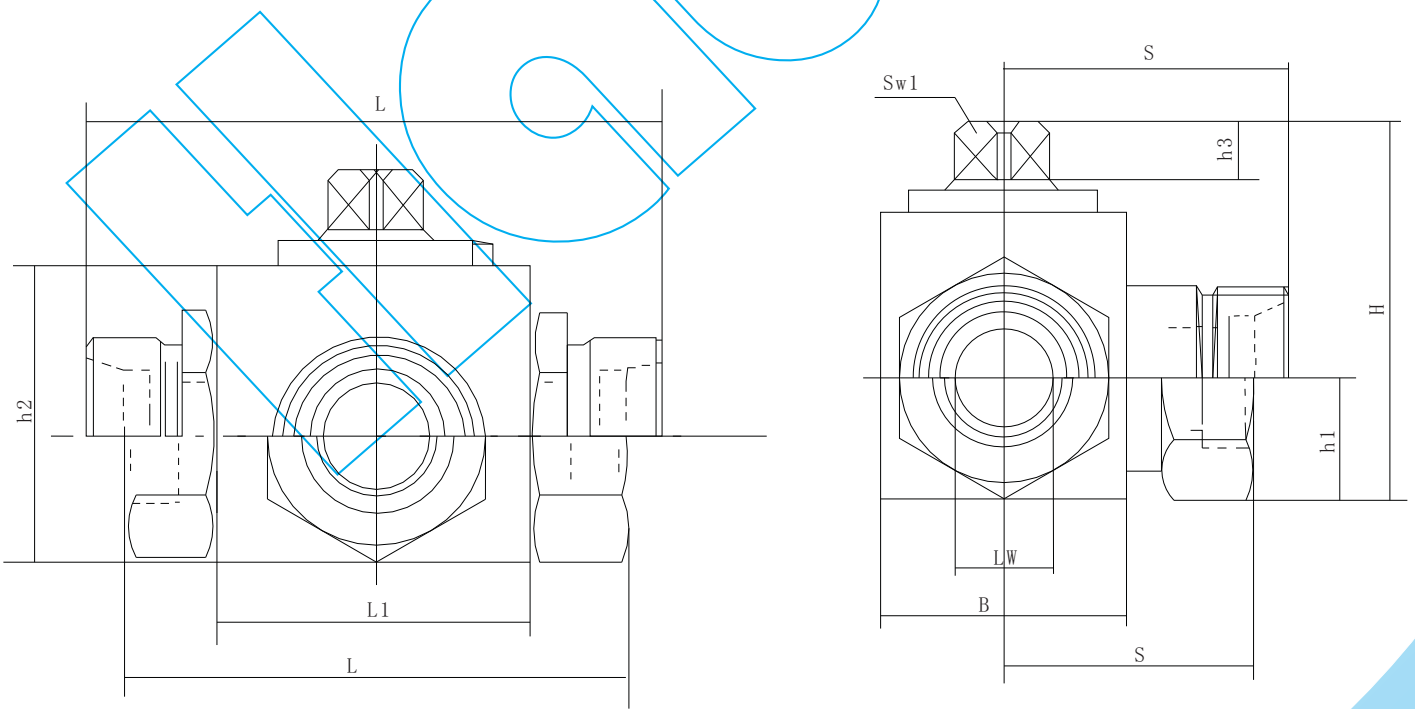
KHB3K BK3 serial two bit three through screw type valve ( International Standard )

Model description

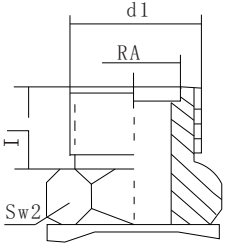
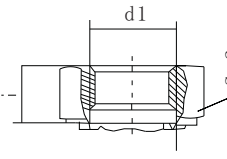
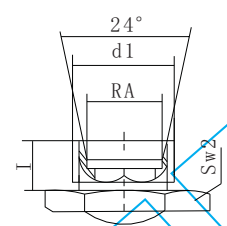
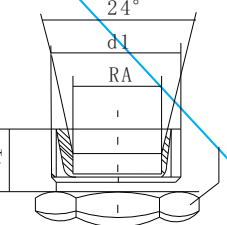
KKHB3K(BK3)- G1/2 -L 1 1 1 2 - 01- *								
(1)	(2)	(3)	(4)	(5)	(6)	(7)	(8)	(9)



- (1)Product code:KHB3K valve box shaped two position three way ball valve. DN04-25
- (2)Thread specification or outside diameter of pipe
  - a. G3/8 internal thread, a thread sealing pipe thread ISO228
  - b. M30x1.5 external thread pipe joint, accord with JB984-77 standard
  - c. 18LR pipe diameter 18, external threads, in line with the DIN2353 standard light series
  - d. 20SR pipe diameter 20, external threads, in line with the DIN2353 standard heavy series
  - e. 20MZ pipe diameter 20, external thread, according to the JB / T6381 cone seal welded pipe joint
- (3)Valve function:See below
- (4)The valve body, the joint body material: 1 - carbon steel; 4 stainless steel
- (5)The sphere and control core materials: 1 - 2 - brass alloy steel; 4 stainless steel;
- (6)Ball sealing bowl material: 1-POM
- (7)A joint body and a control core shaft seal ring materials: 2 - nitrile rubber; 4 - Fluoro Rubber;
- (8)Handle form :
  - 01 cast zinc belt mounting bolt handle, a crank
  - 02 steel belt mounting bolt handle, a crank
- (9)Surface protection
  - G - galvanized





Connect Type	Model	DN	LW	RA	d1	i	L	L1	B	H	h1	h2	h3	S	SW1	SW2
	KHB3K-M12x1.5	04	04	8	M12x1.25	10	61	35	30	48	13	30	8	35	09	19
	KHB3K-M16x1.5	06	06	11	M16x1.5	11	69	35	30	48	13	30	8	35	09	19
	KHB3K-M22x1.5	08	08	16	M22x1.5	12	76	42	35	53	17	40	8	38	09	27
	KHB3K-M27x1.5	10	10	20	M27x1.5	12	76	42	35	53	17	40	8	38	09	27
	KHB3K-M30x1.5	16	15	24	M30x1.5	13	84	47	38	62	19	45	11	42	12	32
	KHB3K-M36x2	20	19	30	M36x2	15	103	60	48	75	24.5	55	11	52	12	41
	KHB3K-M42x2	25	24	35	M42x2	18	116	65	57	82	28.5	64	11	58	12	50
	KHB3K-M52x2	32	30	40	M52x2	20	149	84	75	102.7	37.5	84.2	12	72	17	60
	KHB3K-M60x2	40	36	50	M60x2	22	174	91	85	113.7	42.5	95.2	12	79.5	17	70
	KHB3K-G1/8	04	06	-	G1/8	10	69	35	30	48	13	30	8	35	09	19
	KHB3K-G1/4	06	06	-	G1/4	14	69	35	30	48	13	30	8	35	09	22
	KHB3K-G3/8	10	10	-	G3/8	14	72	42	35	53	17	40	8	36	09	27
	KHB3K-G1/2	16	15	-	G1/2	16	83	47	38	62	19	45	11	42	12	32
	KHB3K-G3/4	20	20	-	G3/4	18	95	60	48	75	24.5	55	11	49	12	41
	KHB3K-G1	25	25	-	G1	20.5	113	65	57	82	28.5	64	11	56.5	12	50
	KHB3K-G1 1/4	32	30	-	G1 1/4	22	110	84	75	102.7	37.5	84.2	12	55	17	60
	KHB3K-G1 1/2	40	38	-	G1 1/2	24	130	91	85	113.7	42.5	95.2	12	65	17	70
	KHB3K-G2	50	48	-	G2	26	140	100	105	131.2	52.5	112.7	12	70	17	80
	KHB3K-06LR	04	04	06	M12x1.5	10	67	35	30	48	13	30	8	34.5	09	19
	KHB3K-08LR	06	06	08	M14x1.5	10	67	35	30	48	13	30	8	34.5	09	19
	KHB3K-10LR	08	08	10	M16x1.5	11	74	42	35	53	17	40	8	37	09	27
	KHB3K-12LR	10	10	12	M18x1.5	11	74	42	35	53	17	40	8	37	09	27
	KHB3K-15LR	12	12	15	M22x1.5	12	82	47	38	62	19	45	11	40	12	32
	KHB3K-18LR	16	15	18	M26x1.5	12	82	47	38	62	19	45	11	42	12	32
	KHB3K-22LR	20	19	22	M30x2	14	101	60	48	75	24.5	55	11	52	12	41
	KHB3K-28LR	25	24	28	M36x2	14	108	65	57	82	28.5	64	11	54	12	50
	KHB3K-08SR	04	05	08	M16x1.5	12	73	35	30	48	13	30	8	37	09	19
	KHB3K-10SR	06	06	10	M18x1.5	12	73	35	30	48	13	30	8	37	09	19
	KHB3K-12SR	08	08	12	M20x1.5	12	76	42	35	53	17	40	8	38	09	27
	KHB3K-14SR	10	10	14	M22x1.5	14	80	42	35	53	17	40	8	40	09	27
	KHB3K-16SR	12	12	16	M24x1.5	14	86	47	38	62	19	45	11	43.5	12	32
	KHB3K-20SR	16	15	20	M30x2	16	90	47	38	62	19	45	11	45.5	12	32
	KHB3K-25SR	20	20	25	M36x2	18	109	60	48	75	24.5	55	11	56	12	41
	KHB3K-30SR	25	25	30	M45x2	20	120	65	57	82	28.5	64	11	60	12	50

**Fenghua Yuandong Auto Parts Co., Ltd.  
Fenghua Hawks Automatic Equipment Co., Ltd.  
Fenghua Haks Import and Export Co., Ltd.**

**Address: No. 285 Yuelin Road East, Fenghua, Ningbo, Zhejiang Province, 315500, P.R.China**

**Tel: +86-574-88912193**

**Fax: +86-574-88935669**

**Email: [info@cn-hawks.com](mailto:info@cn-hawks.com)**

**Web: [Http:// www.cn-hawks.com](http://www.cn-hawks.com)**

**@2011 Fenghua Yuandong Auto Parts Co., Ltd. all rights reserved.**

**We reserve the rights to modify without notice.**